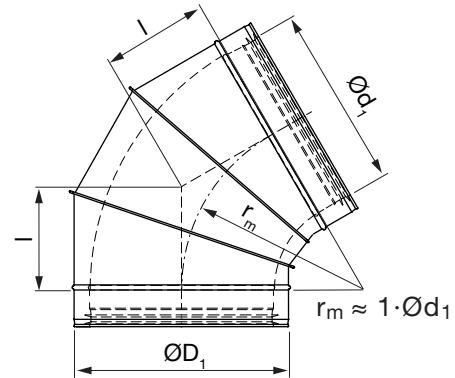


Bend

INBU 60°



Dimensions



Description

The bend is double-jacketed and insulated with mineral wool, and is supplied with Lindab Safe rubber seal on the inner dimension.

With stop bead at both inner and outer part to ensure correct installation.

Ød ₁ nom	ØD ₁ mm	l mm	m* kg
80	112	58	0,50
100	132	58	0,68
125	157	72	0,86
160	192	92	1,24
180	200	104	1,67
200	232	115	1,78
224	260	130	2,22
250	280	144	2,79
280	315	162	3,91
300	355	173	4,31
315	355	182	5,01

* = weight can vary ±10%.

Order code

