

# Waste extractor

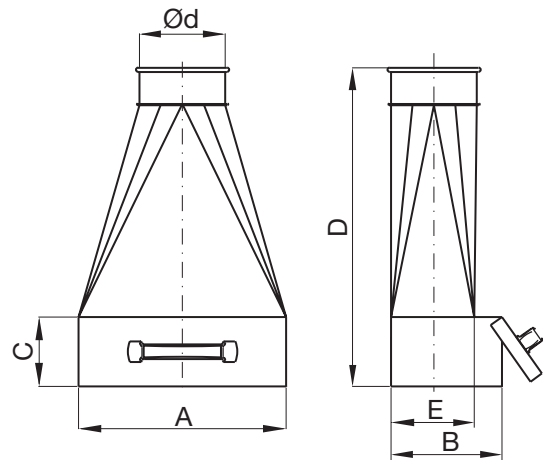
# GSTR



## Description

Used for extraction of chips etc. Is to be placed up to a wall.

## Dimensions



Ød nom	A mm	B mm	C mm	D mm	E mm
100	300	165	100	165	120
125	300	165	100	165	120
160	300	165	100	165	120

## Ordering example

