

T-piece short for casting

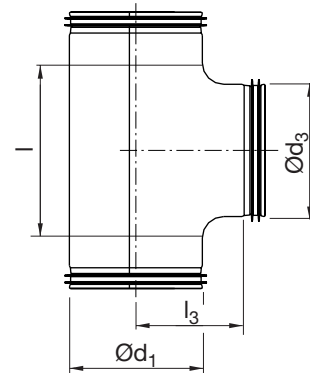
TCKPU



Description

Short branch and short installation lengths.

Dimensions



Ød ₁ nom	Ød ₃ nom	l [mm]	l ₃ [mm]	m [kg]
100	100	123	65	0,31
125	125	157	83	0,43
160	160	203	105	0,62

Ordering example

	TCKPU	100	100	GALV
Product				
Dimension Ød ₁				
Dimension Ød ₃				
Specification				

