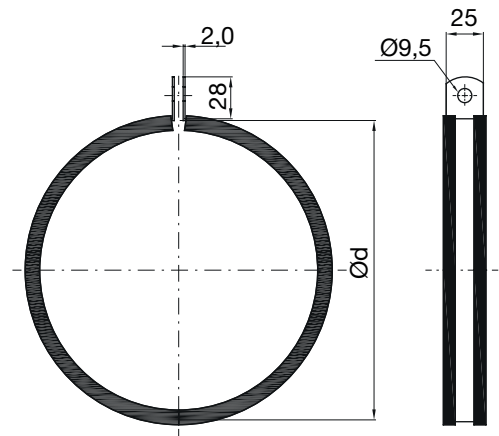


Suspension clamp

INUVG25



Dimensions



Description

Clamp with short ear, with vibration-damping internal rubber lining, for suspension of circular ducting in restricted spaces.

For insulated duct it is recommended that the suspension ring is mounted inside the insulation.

Ød nom	m* kg
80	0,18
100	0,21
112	0,23
125	0,24
132	0,26
157	0,31
160	0,31
180	0,34
192	0,36
200	0,38
224	0,42
232	0,43
250	0,46
260	0,48
280	0,51
300	0,54
315	0,57
355	0,63

Order code

Product	INUVG25	200
Dimension Ød		

