

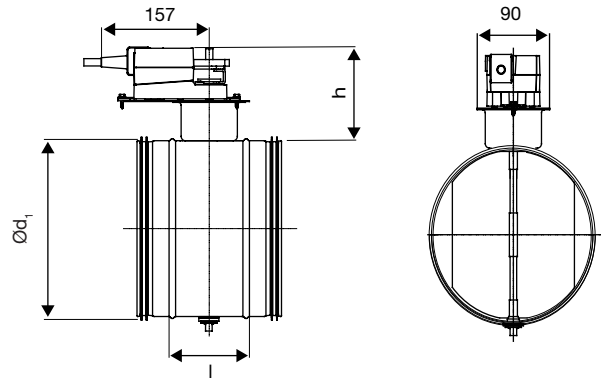
Regulating damper

DRBVU



Dimensions

Ø80-500



Description

DRBVU is a damper, which facilitates continuously balancing of ventilation systems and can be controlled by a superior control system.

The damper can be ordered with the following control option:

24 V motor with 2-10 V analog control signal (motortype **-SR**).

The motor shall be completed with control signal transmitter e.g. an external potentiometer or a proportionally regulating thermostat.

The motor has overload protection and stops automatically when the blade has reached its end stop. The stop can be continually adjusted. Although the current is connected, the motor is not damaged if blocked.

The spindle and motor can be disconnected from each other via a release button on the motor housing.

In outdoor installation, the motor should be protected from direct UV radiation.

The motor is installed at a distance from the damper, which makes it easy to insulate the ventilation duct.

There is a separate assembly, measuring, balancing and maintenance instruction for this product.

Ordering example

	DRBVU	200	24	LM-SR
Product				
Dimension $\text{Ø}d_1$				
Voltage				
Motor type				



Regulating damper

DRBVU

Dimensions

Ød ₁ nom	l [mm]	h [mm]	m [kg]	Motor type	Sealing class past closed blade	Pres- sure class in closed position	Link to technical data for Belimo motors
80	100	107	1,27	LM-SR	1	A	LM24A-SR
100	100	107	1,27	LM-SR	1	A	LM24A-SR
125	100	107	1,42	LM-SR	1	A	LM24A-SR
160	100	107	1,63	LM-SR	1	A	LM24A-SR
200	100	107	1,93	LM-SR	1	A	LM24A-SR
250	100	107	2,41	LM-SR	1	A	LM24A-SR
315	100	107	3,03	LM-SR	1	A	LM24A-SR
400	100	114	5,00	NM-SR	1	A	NM24A-SR
500	115	114	7,70	NM-SR	1	A	NM24A-SR

Technical data

For technical data go to [LindQST](#).