

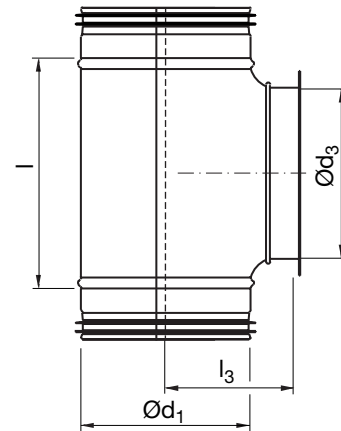
T-piece with flange for casting TCPUCST



Description

Short branch with female end and nail flange with pre-punched holes.

Dimensions



Ød ₁ nom	Ød ₃ nom	l [mm]	l ₃ [mm]	m [kg]
80 *	80	140	80	0,38
100	100	130	93	0,30
125	100	130	106	0,50
125	125	165	102	0,59
160	160	209	130	0,88

* Made with saddle PS

Ordering example

