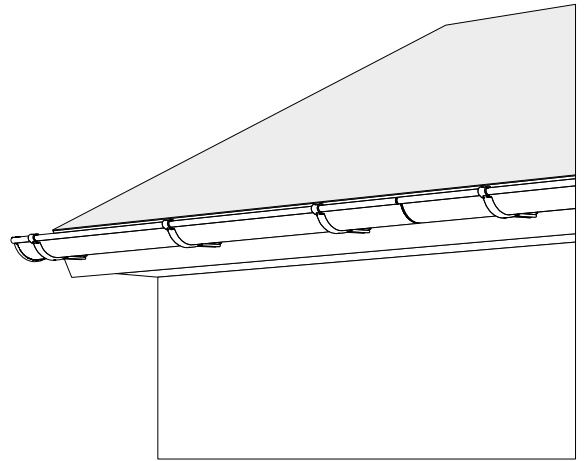


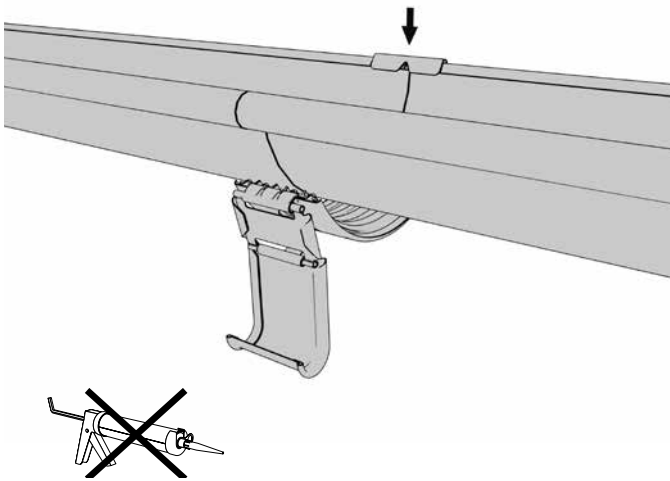
Assembly Instruction Rainwater System

RSK

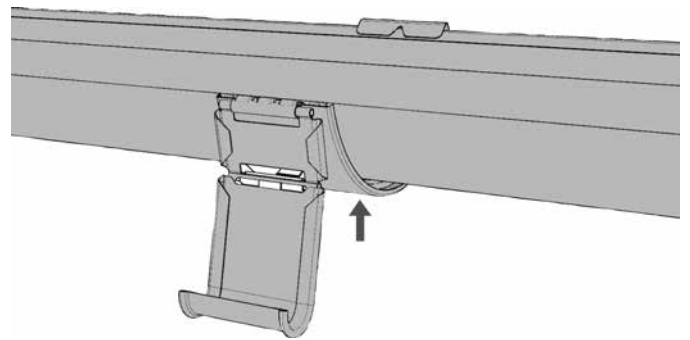
1.



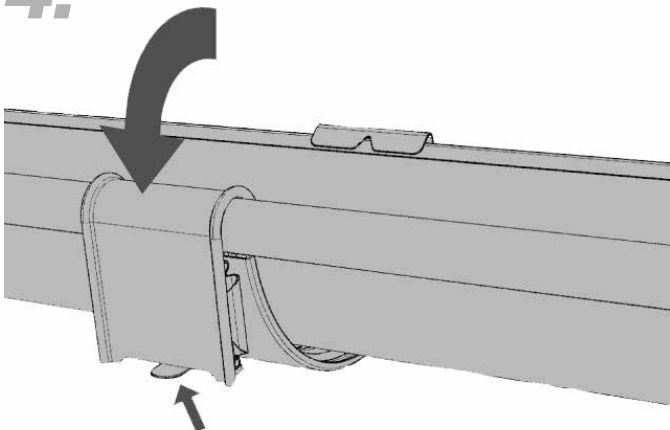
2.



3.



4.



5.

