

T-piece

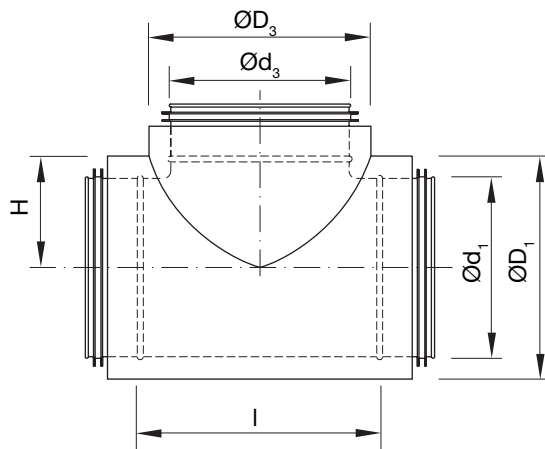
TCUIN



Description

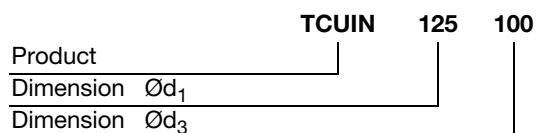
The T-piece is double-jacketed and insulated with mineral wool, and is supplied with LindabSafe rubber seal in the inner dimension.

Dimensions



Ød ₁ nom	Ød ₃ nom	ØD ₁ nom	ØD ₃ nom	l mm	H mm
80	80	112	112	140	52
100	80	132	112	103	65
100	100	132	132	130	65
125	80	157	112	97	75
125	100	157	132	130	78
125	125	157	157	165	83
160	80	192	112	140	92
160	100	192	132	130	95
160	125	192	157	166	100
160	160	192	192	209	105
180	80	200	112	140	102
180	100	200	132	175	105
180	125	200	157	215	110
180	160	200	192	260	115
180	180	200	200	285	115
200	80	232	112	140	112
200	100	232	132	175	115
200	125	232	157	215	115
200	160	232	192	209	125
200	180	232	200	285	125
200	200	232	232	249	125
224	80	260	112	140	124
224	100	260	132	175	127
224	125	260	157	215	132
224	160	260	192	260	137
224 *	200	260	232	346	137
224	224	260	260	346	137
250	80	280	112	156	137
250	100	280	132	175	140
250	125	280	157	220	145
250	160	280	192	256	150
250	200	280	232	306	150
250	224	280	250	350	150
250	250	280	280	296	150

Ordering example



* Build with a PSKU on the inner duct.