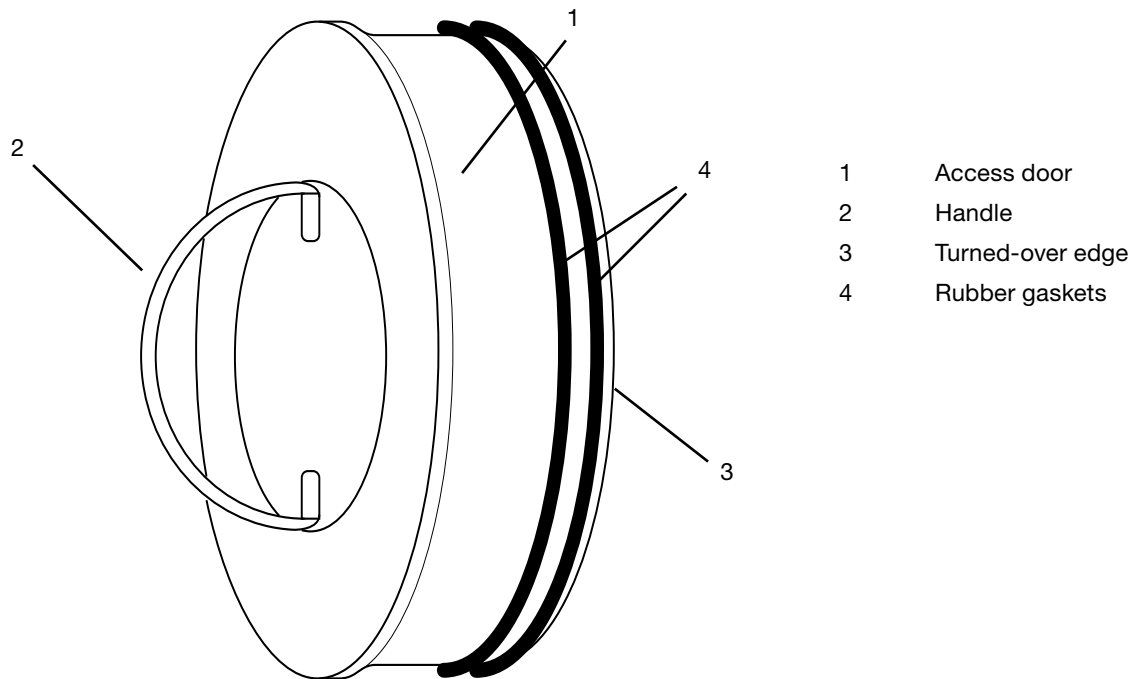


Lindab **Access door ESHU**

Mounting instruction

Access door

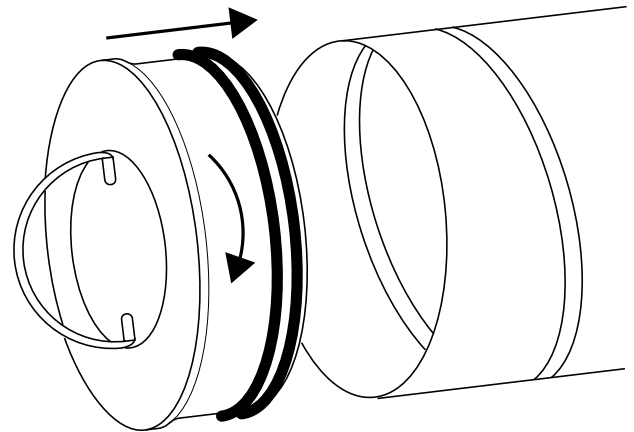
ESHU



1. Insert the access door's turned-over edge into the duct.

NOTE! Check that the rubber gasket's first lip is in contact with the duct's edge all the way around and points straight out so that the lip is not twisted in any direction.

2. Push the rest of the fitting into the duct. Twisting the access door slightly aids insertion.



Fire protection assembly

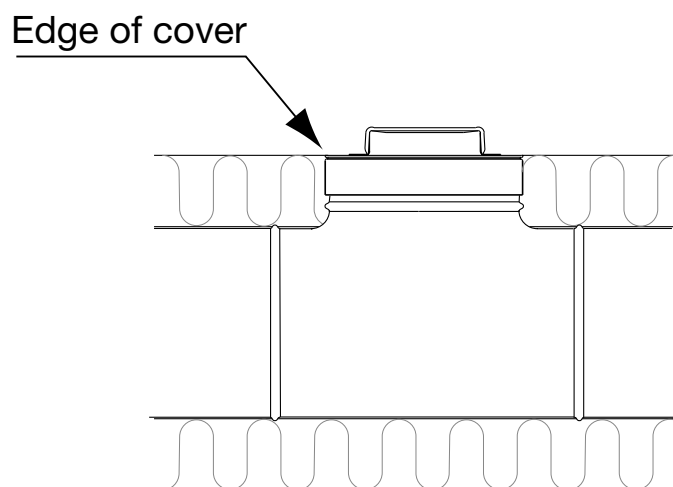
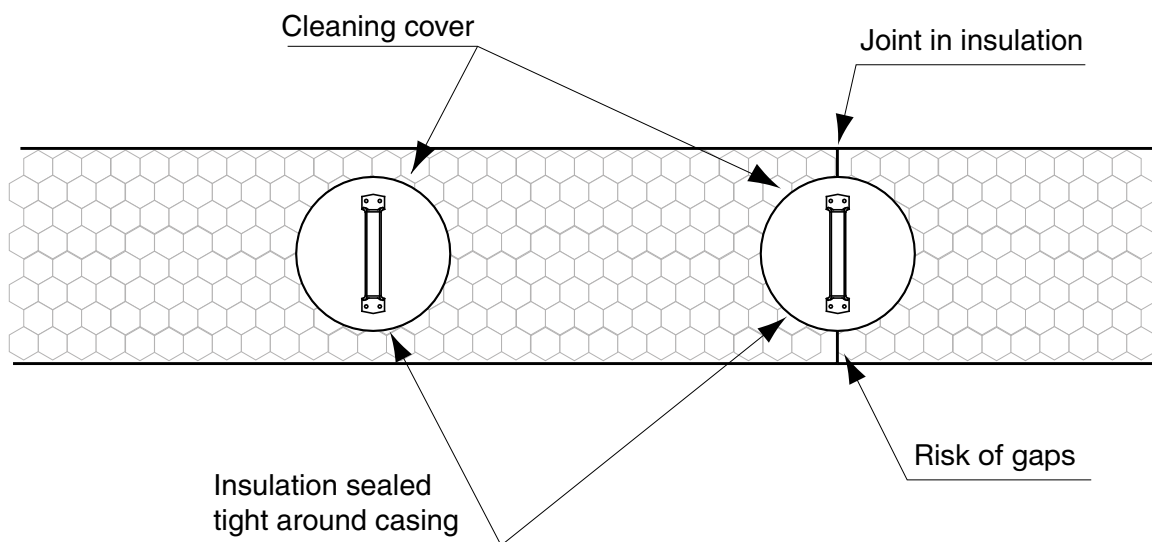
Access door with different levels of fire protection are available, the fire class is specified on the label found on the access door.

In some cases, the fire class requires placement of the access door at a specific safety distance from inflammable materials. The fire protection class of access doors needs to be the the same or higher than for the connecting ventilation system.

See the datasheet for more information.

When lining the duct system with fire-resistant material, check the following:

- that the insulation forms a tight seal around the casing of the cleaning covers/access doors. The risk of gaps occurring is particularly significant if insulation with joints is applied to the cleaning covers/access doors
- that the insulation is level with the edge between the cleaning cover's/access door's casing and top





Most of us spend the majority of our time indoors. Indoor climate is crucial to how we feel, how productive we are and if we stay healthy.

We at Lindab have therefore made it our most important objective to contribute to an indoor climate that improves people's lives. We do this by developing energy-efficient ventilation solutions and durable building products. We also aim to contribute to a better climate for our planet by working in a way that is sustainable for both people and the environment.

[Lindab | For a better climate](#)